

Taifuji LCD Display Ultra Low Power Design

Wireless Remote Control Type - Indoor Thermostat

Japan Daifuji F-102 Model

1 Energy-Saving Design

- LCD Display, Ultra Low Power Design (New Product)
- Compatible with Full Voltage 85V-220VAC

2 Easy to Operate

- Control Box and Remote Control Without Wiring (Super Convenient)
- Temperature Range Setting: 15°C-35°C
- Fan Speed VAV: Automatic and Manual - High, Medium, Low
- Timer Scheduling 124H, Sleep Function
- Effective Infrared Range: 6-8 meters depending on environment)

3 Suitable for Chilled Water System, Dual Purpose

- Suitable for Chilled Water System, Heating and Cooling, or Cooling Only

4 Optional Power-On with Incoming Call



Remote Control
50 x 56 x 18 mm



Remote Control Holder
76 x 63 x 23 mm

[Japanese Minimalist, Stable, Long Lifespan, High Quality]

Model	Function	Code Description
F-102	Chilled Water System, Cooling Only or Heating and Cooling	R: Indicates Controllable Chilled Water Main Unit
F-102(D)	Direct Expansion Split Type, Cooling Only, Low Current, for Use with Electromagnetic Contactor	
F-102(P)	Direct Expansion Split Type, Cooling Only, High Current, 25 Amperes	



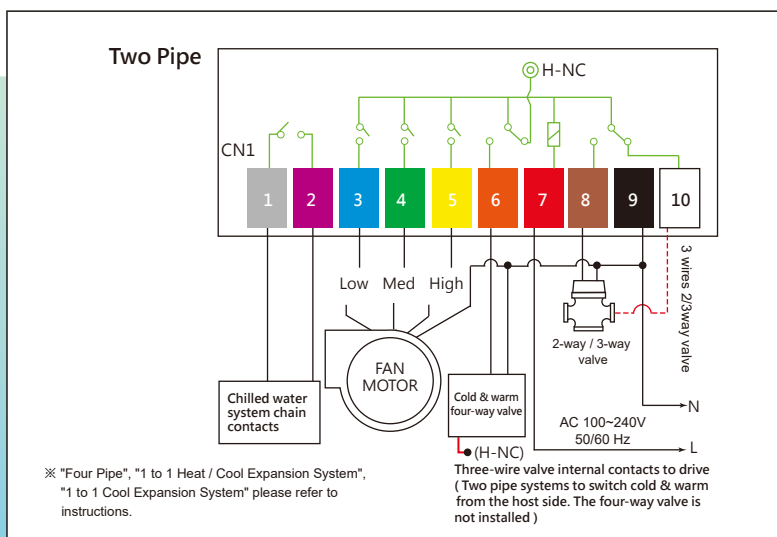
Ø 51 x 20 mm



130 x 70 x 50 mm

Portable Temperature Sensor and Infrared Receiver

1.2 meters long, can be placed at return air opening or other suitable locations for control box.



Two-Pipe System
Wiring Diagram