



iCN-733 Brushless Motor Standalone Temperature Controller

JohnPoint®
約翰點子 空調自動控制專家

Incoming Call Memory Type Incoming Call Power-On Type Incoming Call Power-Off Type

Incoming Call Power-Off Type : Suitable for both residential and commercial use

Incoming Call Power-On Type : Specifically designed for automotive hotels (capable of pre-activating cooling or heating functions)



※Please scan this QR code for the user manual.

Flagship Edition/Customized Function Selection

- 1 Four-Pipe Output Control
- 2 Room Card Functionality
- 3 IR Infrared Remote Control, External VR Rotary Knob Temperature Control



Product Features ▶▶

1. Equipped with cooling, heating, and fan functions to meet all air conditioning needs.
2. Dual relay outputs can separately control electric heaters and ice water valves.
3. Easy and convenient installation: only four signal wires required for panel wiring.
4. Temperature adjustment range from 15°C to 35°C.
5. Scheduled Power On/Off: 0 hours to 24 hours
6. Sleep function: the set temperature will automatically increase by 1°C every hour until it reaches 2°C.
7. Safety design: built-in 5-ampere fuse to protect the blower motor and circuits.
8. Temperature sensing method: temperature sensing at the air outlet with a 1.5-meter high-precision temperature sensing wire.
9. Can control ON/OFF two-way valves or three-way valves.
10. Elegant appearance, energy-saving, power-saving, large LCD backlight panel for convenient nighttime operation.
11. Equipped with a compressor 3-minute protection function.
12. Features power-off memory (fan speed, function mode, set temperature, power status).

Control Box

iCN-360P-3C

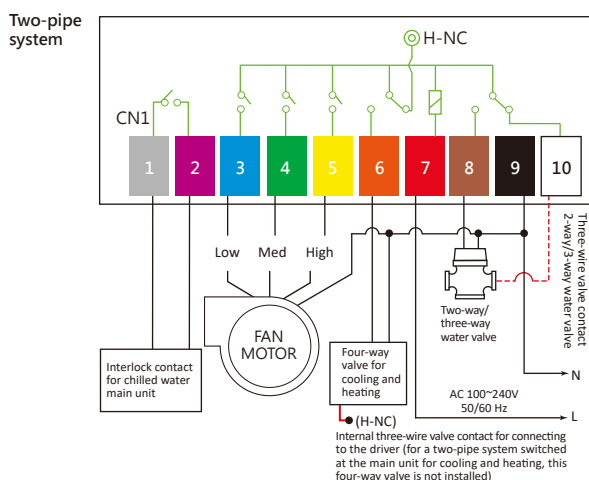
- Dimensions: 128x71x28mm
- Input Voltage: AC 100V~240V, 50/60Hz (single phase)
- Output Contacts:
 - Host Interlock Contacts: 1A/250VAC
 - Valve Body Contacts: 1A/250VAC
 - Fan Speed Contacts: 3A/250VACx3 (high, medium, low speeds)



Function Description ▶▶

- A. Power : Power control button.
- B. Sleep : Sleep/Lock control button.
- C. Mode : Operation mode selector button, allowing selection among three operation modes : cooling, fan, and heating.
- D. Time : Timer for shutdown/startup, time setting button.
- E. Fan : Fan speed switch button. Pressing the Fan button toggles between different fan speeds, including strong, medium, weak, and automatic.
- F. ▲▼ : Temperature setting button. Press once to display the set temperature; press again to change the temperature setting value.

System Wiring Diagram ▶▶



※ Also available : "Four-pipe system," "One-to-one direct expansion cooling and heating," "One-to-one direct expansion cooling", please refer to the instruction manual for details.