

## ICN-733N 32 units of AC interlinked Temperature Controllers



Incoming Call Memory Type Incoming Call Power-On Type Incoming Call Power-Off Type



Flagship Edition/Customized Function Selection

Four-Pipe Output Control  
Room Card Functionality



※ Please scan this QR code for the user manual.

### Function Description ▶▶

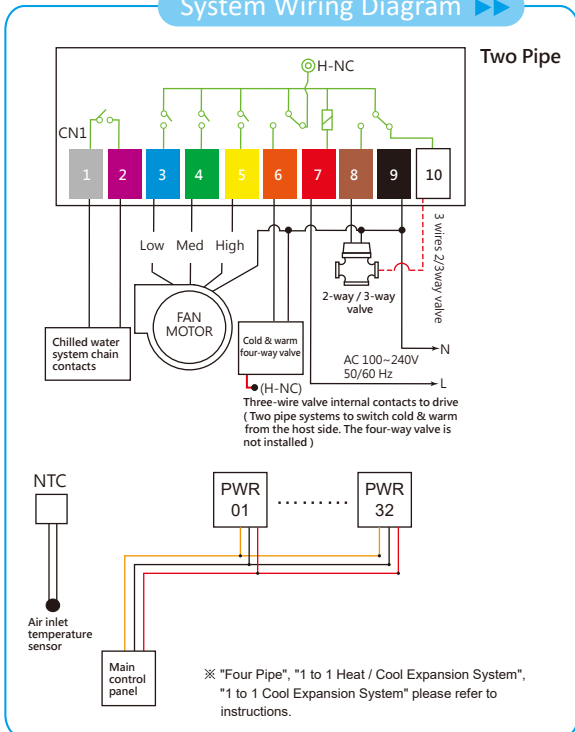
Power		Power on / off motors in order or by group.
Mode	Mode	1. When power is on, press to switch between 3 system modes → Cool, Heat, Ventilation. 2. When power is off, press & hold for 3 seconds to enter settings menu.
Fan	Fan	3 modes → Automatic, Low speed, Medium speed, High speed.
Fan location selector	ID-ID+	1. You can select fan's ID (01~32). 2. After fan's ID is selected, fan's ID icon will flash while establish connection.
Simultaneous Group Control	Press & hold both ID-ID+	1. Press & hold both ID- and ID+ for 4 seconds to switch to Simultaneous Group Control. 2. Cancel Simultaneous Group Control → press ID- or ID+ to switch back to Single Control. The LCD will display previous Single Control fan's ID.
Temperature Adjustment		When power is on, press to adjust temperature +/- 0.5 °C. Press & hold to speed up adjustment. When power is off, press & hold ( and ) adjustment keys for 5 seconds, you can set/release key's lock. When keys are locked, only power switch, 0~24 hours program schedule setting and fan selector are functional.

### Product Features Description ▶▶

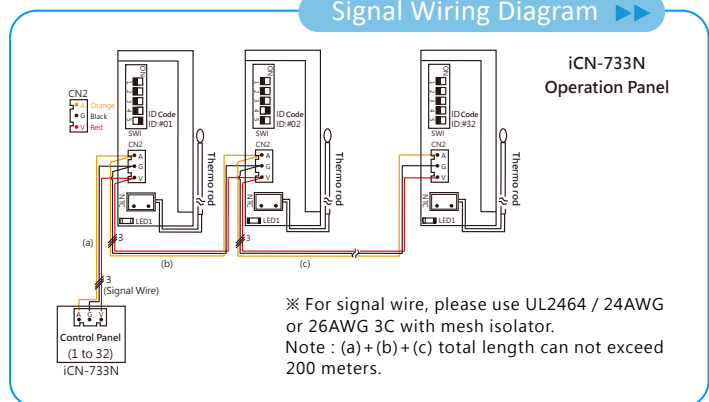
- One panel can support the interlinking control of 32 fan drives (control boxes) with individual operation or group synchronous control function.
- Equipped with key lock function to prevent unauthorized operation.
- Automatic power-off sequential delay recovery function (anti-overload delayed start). When the power is off and the unit was in the on state before the power outage, it will automatically start up in sequence according to the address coding when power is restored.
- Simple and convenient installation: Only three signal wires are required for panel wiring.
- Safety design: Built-in 5-ampere fuse to protect fan motors and circuits.
- Temperature sensing method: Sensing temperature at the air outlet, with a 1.5-meter high-precision temperature sensing wire included.
- Power-off memory (air volume, function mode, set temperature, power on/off status).

※ Advanced Timer Switch (On / Off) : Press both , can set up timer for individual fan.

### System Wiring Diagram ▶▶



### Signal Wiring Diagram ▶▶



### ID Switch Code Chart ▶▶

