

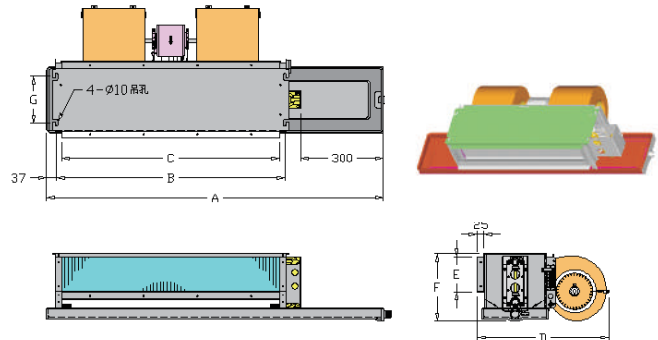
DC inverter blower BLDC VAV FCU

Ceiling mounted DC FCU Inverter System Unit (Concealed Model)

This ceiling mounted air conditioner is concealed within the ceiling boards and is unnoticeable. With the wind capacity of 300 CFM~1400 CFM. This machine will be suitable for almost any room.

Highlights

- Air conditioner is installed in the ceiling. Reduces obstruction and is aesthetically pleasing.
- Can be used with high and low Static pressure types, allows direct out flow or out flow air pipes.
- The height of the air conditioner is only 25cm, which allows easy installation and repairing in almost any circumstances.



1. Air outlets/ inlets can also be supplemented, and are easy to install.
2. Piping method is adjunct to air outlet. Piping to the left is the left piping, piping to the right is the right piping.
3. Stainless drain pan with special anti-eroding aluminum plate, We can accept customer customization.
4. Negative Ion Generator Installation, photo-catalytic and active carbon filter. We accept customization.

FEATURES

Model \ Size	300	400	600	800	1000	1200	1400
A	850	1040	1240	1470	1690	1900	2090
B	460	650	850	1080	1300	1510	1700
C	422	612	812	1042	1262	1472	1662

Note : We have other external and internal DC FCU models. Please inform us of your needs and we can customize it for you.

Specification		Model	JP03BCC	JP04BCC	JP06BCC	JP08BCC	JP10BCC	JP12BCC	JP14BCC	
Capability	Maximum Capacity (Kcal/h)		1270~2550	1660~3550	2600~5100	2760~6300	3850~7750	4100~9200	5050~10800	
	Rated air flow (CFM)		110~440	140~520	210~850	210~940	380~1300	380~1640	480~1750	
Coil	Type		ø 3/8" Copper Tube / Aluminium Fin							
	Surface Area (FT2)		0.93	1.34	1.78	2.28	2.76	3.22	3.64	
	Water Level (GPM)		2.2	3.2	4.5	5.6	7.0	7.9	9.5	
	Water Pressure Test (FT)		2.2	4.2	9.5	17.5	4.4	6.2	12.1	
	Working pressure (PSI)		250							
Fan	Type		Centrifugal Fan-Double Vent							
	Average Air Flow (CFM)		300	400	600	800	1000	1200	1400	
	External static pressure (CFM)	0Pa		440	520	850	940	1300	1640	1750
		10Pa		425	500	820	905	1265	1590	1700
		20Pa		410	480	795	870	1230	1540	1645
		30Pa		390	460	770	840	1190	1490	1590
		40Pa		370	440	735	805	1145	1430	1530
		50Pa		355	425	700	770	1100	1365	1465
60Pa		340	410	660	740	1050	1300	1400		
Fan No		1		2		3	4			
Motor	Type		DC Inverter Brushless Motor							
	Power Supply		AC220V / AC110V							
	Rated	Electric current (A)		0.06~0.47	0.06~0.62	0.07~0.83	0.07~0.91	0.10~1.26	0.10~1.43	0.12~1.55
		Power (W)		13~103	14~136	16~183	16~201	21~278	21~314	24~342
	Motor No.		1	1	1	1	2	2	2	
Control Method		DC Inverter Controller & Digital Communication control signs.								
Piping	Coil Connection (IN)		3/4" B							
	Drain Pipe (IN)		3/4" B							

* Please indicate model upon placing order

JP04BCC L:Low staticpressure. H:High staticpressure. C:Low /Highstaticpressure.
A:Ceiling Mounted(concealed). B:Ceiling Mounted(concealed +reverse airflow). C:Ceiling Deluxe Mode.
A:InputPowerAC-110V. B:InputPowerAC-220V/60Hz.
Wind capacitycod:04:400CFM.06:600CFM...